



BATHROOM



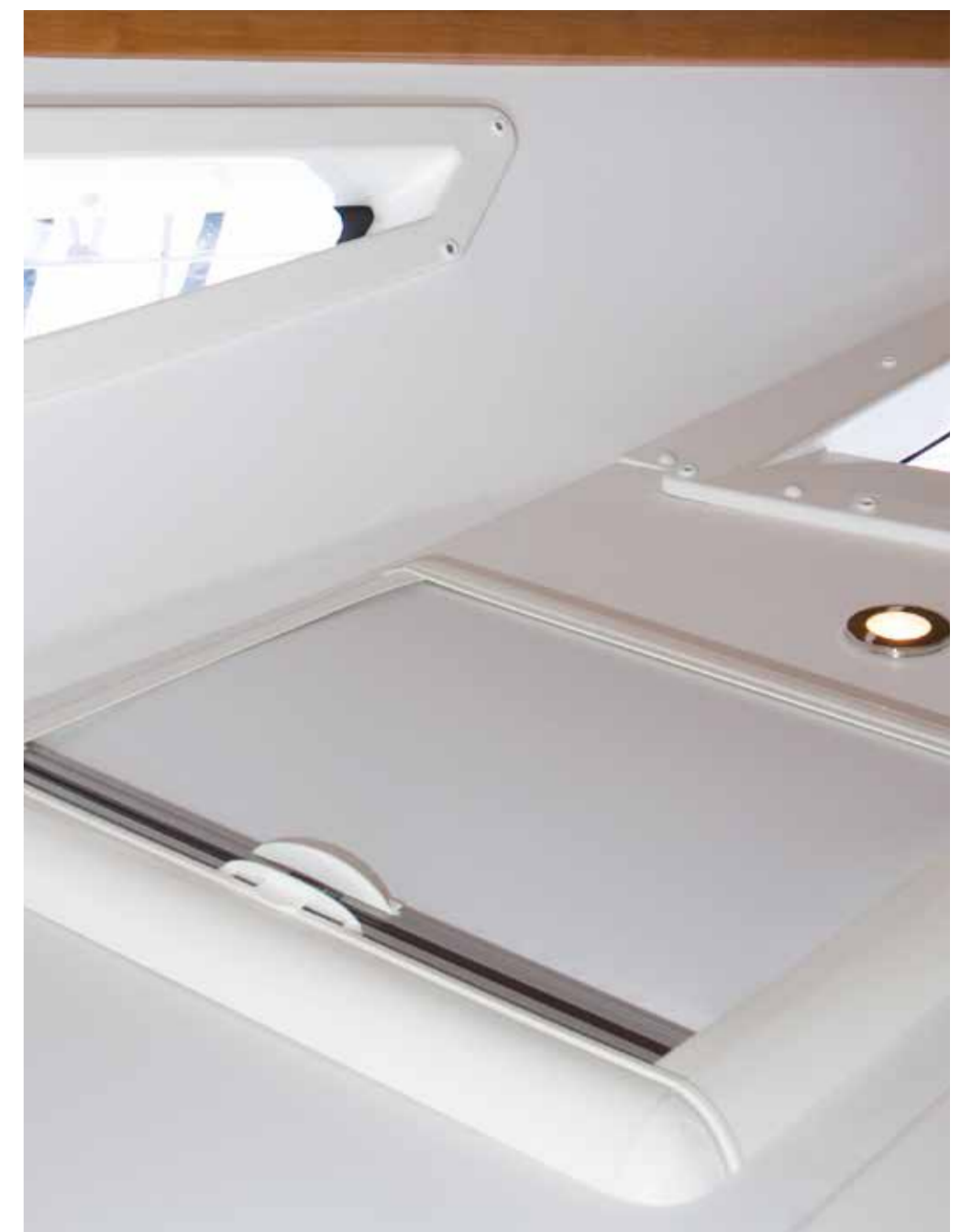
WINDOWS AND...



...PORTLIGHTS



HATCHES & WINDOWS



HATCHES

Whether you are looking to improve cabin privacy, control light transmission, or simply want to keep the insects out, Oceanair has an elegant and easy-to-install product to suit your every need...



WORLDWIDE TECHNICAL HELP AND SUPPORT

- | | | |
|--|--|--|
| <p>AUSTRALIA
AMI Sales, O'Connor
Tel: +61 (08) 9331 0000
wa@amisales.com.au
www.amisales.com.au</p> <p>AUSTRIA
Herman Gotthardt GMBH, Hamburg
Tel: +49 (0) 40 85 15 050
info@gotthardt-yacht.de
www.gotthardt-yacht.de</p> <p>BELGIUM
Webasto Thermo & Comfort Benelux B.V.
Tel: +31 38 3371137
info.nl@webasto.com
www.webasto.nl</p> <p>BOSNIA
UNIMAR S.r.l.
Tel: +39 (0) 40 66 16 91
unimarsr@tin.it
www.unimar.hr</p> <p>BRAZIL
Regatta Sport, Sao Paulo
Tel: +55 (11) 3030 3400
telemarketing@regatta.com.br
www.regatta.com.br</p> <p>CANADA
Payne's Marine Group, Victoria
Tel: +1 (800) 663 7483
sales@paynesmarine.com
www.paynesmarine.com</p> <p>CARIBBEAN
Island Water World
Tel: +1 (721) 544 5310
sales@islandwaterworld.com
www.islandwaterworld.com</p> <p>CROATIA
UNIMAR S.r.l.
Tel: +39 (0) 40 66 16 91
unimarsr@tin.it
www.unimar.hr</p> <p>DENMARK
Columbus Marine A/S, Karlslunde
Tel: +45 4619 1166
columbus@columbus-marine.dk
www.columbus-marine.dk</p> <p>FINLAND
Oy Maritim AB, Helsinki
Tel: +358 (0) 207 651 80
maritime@maritim.fi
www.maritim.fi</p> <p>FRANCE
InterDist SAS, St Malo
Tel: +33 (0) 2 9919 54 54
info@interdist.fr
www.interdist.fr</p> <p>GERMANY
Herman Gotthardt GMBH, Hamburg
Tel: +49 (0) 40 85 15 050
info@gotthardt-yacht.de
www.gotthardt-yacht.de</p> <p>GREECE
Nautilus Ltd, Athens
Tel: +30 210 9854238
info@nautilus.gr
www.nautilus.gr</p> | <p>HONG KONG
Storm Force Marine, Wanchai
Tel: +852 9031 2555
simon@stormformarine.com
www.stormformarine.com</p> <p>ITALY
Osculati S.P.A., Segrate
Tel: +39 (02) 2699 111
info@osculati.it
www.osculati.it</p> <p>JAPAN
Industrial Suppliers Co., Tokyo
Tel: +81 (0) 3 5443 8231
sales@isco.co.jp
www.isco.co.jp</p> <p>LUXEMBOURG
Webasto Thermo & Comfort Benelux B.V.
Tel: +31 38 3371137
info.nl@webasto.com
www.webasto.com</p> <p>MALTA
Yachting Partners Malta Ltd, Pietà
Tel: +356 2124 1127
info@ypm.com.mt
www.yachtingpartners.com.mt</p> <p>MONTENEGRO
UNIMAR S.r.l.
Tel: +39 (0) 40 66 16 91
unimarsr@tin.it
www.unimar.hr</p> <p>NETHERLANDS
Webasto Thermo & Comfort Benelux B.V.
Tel: +31 38 3371137
info.nl@webasto.com
www.webasto.com</p> <p>NEW ZEALAND
Kiwi Yachting Consultants
Tel: +64 (0) 9360 0300
sales@kiwiyachting.co.nz
www.kiwiyachting.co.nz</p> <p>NORWAY
Marin Partner AS
Tel: +47 33420090
post@marinpartner.no
www.marinpartner.no</p> <p>POLAND
Aura Sp. J., Szczecin
Tel: +48 (91) 46 13 992
aura@aura.szczecin.pl
www.aura.szczecin.pl</p> <p>PORTUGAL
Sailing Foz, Porto
Tel: +351 (2) 2617 9936
sailingfoz@sailingfoz.pt
www.sailingfoz.pt</p> <p>PUERTO RICO
Ambiente Interiors
Tel: +1 (0) 787-530-6160
tamara@ambienteinteriors.com
www.ambienteinteriors.com</p> <p>SINGAPORE
AMI Marine International, Singapore
Tel: +65 6775 0081
singapore@amisales.com.sg
www.amisales.com.au</p> | <p>SLOVENIA
UNIMAR S.r.l.
Tel: +39 (0) 40 66 16 91
unimarsr@tin.it
www.unimar.hr</p> <p>SOUTH AFRICA
Central Boating (Pty) Ltd, Cape Town
Tel: +27 (21) 424 8026
info@centralboating.com
www.centralboating.com</p> <p>SPAIN
Equip Yacht S.L., Barcelona
Tel: +34 932 219 219
equipyacht@equipyacht.com
www.equipyacht.com</p> <p>SWEDEN
Thermoprodukt AB, Kalmår
Tel: +46 (0) 480 42 58 80
info@thermoprodukt.se
www.thermoprodukt.se</p> <p>SWITZERLAND
Bucher & Walt, St. Blaise
Tel: +41 (32) 755 9500
info@buche-walt.ch
www.buche-walt.ch</p> <p>TAIWAN ROC
Ing Hai Co. Ltd., Taipei
Tel: +886 22531 2088
inghai@tps6.3eed.net.tw</p> <p>THAILAND
Oceanair Marine Ltd
Tel: +66 (0)1243 606909
salesenquiries@oceanair.co.uk
www.oceanair.co.uk</p> <p>TURKEY
Deka Marin Deniz Malz. Tic. A.S.
Tel: +90 (0216) 511 2121
info@dekamarine.com
www.dekamarine.com</p> <p>UNITED ARAB EMIRATES
Blue Ocean Marine Interiors, Sharjah
Tel: +971 6 545 33 66
cathy@blueoceaninteriors.ae
www.blueoceaninteriors.ae</p> <p>UNITED KINGDOM
International Marine Products, Royston
Tel: +44 (0)1763 241300
sales@improducts.co.uk
www.improducts.co.uk</p> <p>USA
Oceanair Marine, Vermont
Tel: +1 (1) 802 362 5258
info@oceanairmarine.com
www.oceanairmarine.com</p> |
|--|--|--|

M-RF-V1-11-ENG



MARINE BLINDS

OCEANAIR

Since 1990, Oceanair has been at the forefront of innovation, design and manufacture of marine blinds and shades.

The Oceanair range of standard products offer you more choice, style and quality. Our products are developed to improve privacy, reduce exposure to light, UV and heat, and to help eliminate insects from entering living and working spaces on board.

All Oceanair retail products are easy to fit, come with step-by-step measuring guides and installation instructions, and are available online or through your local chandlery.

Exceptional quality standards, assured delivery, technical innovation and a broad export customer base led to Oceanair gaining the Queen's Awards for Enterprise in the

International Trade category for 2001, 2005 and 2008. Unlike many business awards, it recognises the contribution made by the whole workforce and allows management, staff, customers and suppliers an opportunity to celebrate the most prestigious award that a UK business can win.

Our state-of-the-art manufacturing facility houses research, design, development and manufacture under one roof.

Visit the Oceanair website for more information about the complete Oceanair range of shading solutions, including the latest news, and product technical sheets, measuring guides and installation instructions.

www.oceanair.co.uk



ISO 9001:2000 accreditation is an internationally recognised quality management system that focuses on quality in sustaining long term business success and opportunity.

SKYSCREEN ROLLER SURFACE



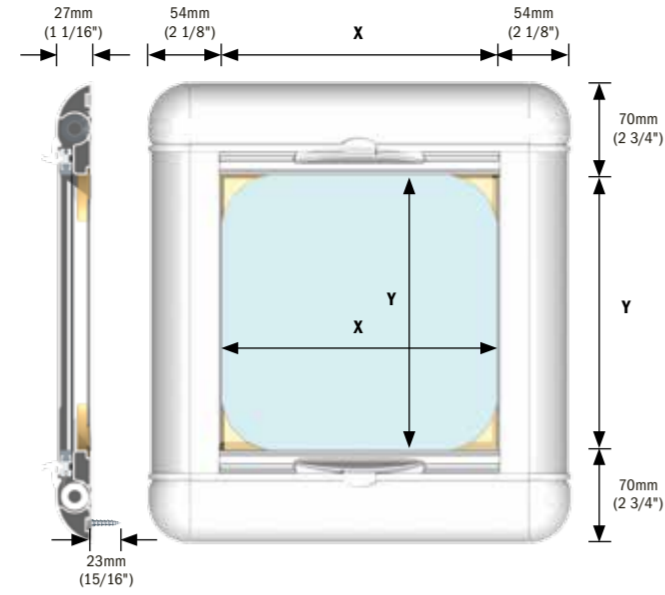
SKYSCREEN Roller Surface is a combination blackout shade and insect screen for hatches. It requires no recess or cavity and can be easily fitted to existing hatches.

- Combined blackout shade and insect screen for hatches
- Heat reflective, UV resistant and 100% marinised for the harshest environments
- Low profile design, easy to install, operate and clean
- Simple, reliable magnetic handle system

TECHNICAL FEATURES

Housing colour	Off white, beige
Fabric	Solar (white) / flyscreen (white)
Blackout	Screen only (100% polyester)
Flyscreen	PVC coated glass fibre mesh
Fitting options	Top fix
Angle suitability	Suitable for horizontal, vertical or slightly angled hatches
Custom sizes and trim options	Visit www.oceanair.co.uk
Max X/Y sizes	1200mm (47 1/2") / 1000mm (39 3/8")

Measuring guide



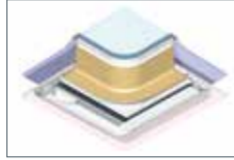
STANDARD SIZES

PART No	TO FIT HATCH	APERTURE SIZE	
		X	Y
SFSS-10	LEWMAR 10	260mm (10 1/4")	260mm (10 1/4")
SFSS-20	LEWMAR 20	347mm (13 11/16")	202mm (7 15/16")
SFSS-30	LEWMAR 30	457mm (18")	327mm (12 7/8")
SFSS-40	LEWMAR 40	421mm (16 9/16")	421mm (16 9/16")
SFSS-44	LEWMAR 44	442mm (17 3/8")	442mm (17 3/8")
SFSS-50	LEWMAR 50	507mm (19 15/16")	377mm (14 13/16")
SFSS-54	LEWMAR 54	507mm (19 15/16")	392mm (15 7/16")
SFSS-60	LEWMAR 60	507mm (19 15/16")	507mm (19 15/16")
SFSS-2/1000	BOMAR 1000	275mm (10 13/16")	275mm (10 13/16")
SFSS-2/1029	BOMAR 1029	470mm (18 2/4")	340mm (13 3/8")
SFSS-2/1039	BOMAR 1039	515mm (20 1/4")	515mm (20 1/4")
SFSS-2/1070	BOMAR 1070	420mm (16 9/16")	420mm (16 9/16")
SFSS-2/1080	BOMAR 1080	470mm (18 2/4")	470mm (18 2/4")
SFSS-2/1011	BOMAR 1011	365mm (14 3/8")	232mm (9 1/8")
SFSS-12/12	TAYLOR 1212HS	309mm (12 3/16")	309mm (12 3/16")
SFSS-17/17	TAYLOR 1717HS	430mm (16 15/16")	430mm (16 15/16")
SFSS-20/20	TAYLOR 2020HS	506mm (19 15/16")	506mm (19 15/16")

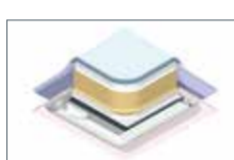
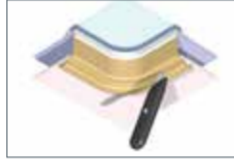
Sizes to fit the following hatches are also available, but not retail packages: LEWMAR 03, LEWMAR 70, LEWMAR 71, LEWMAR 78, BOMAR 1040, BOMAR 1049 and TAYLOR 2222HS. Please ask your local chandlery for further details.

For step by step measuring and installation guides visit www.oceanair.co.uk/skycreensrollersurface

Installation around existing hatch trim.



Installation over existing ABS hatch trim.



CABINSHADE



TECHNICAL FEATURES

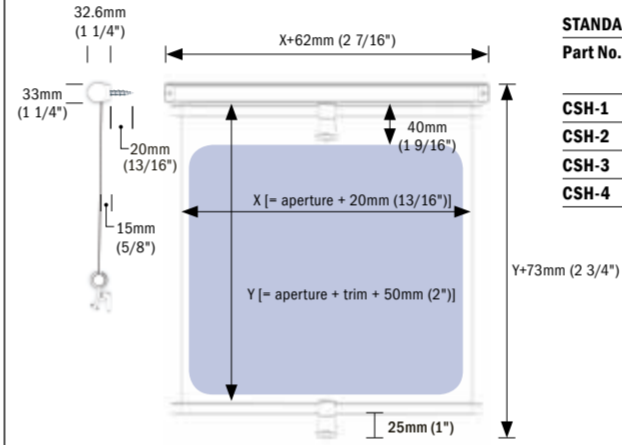
Housing colours	Anodised Silver, beige, white
Fabric	Solar (white)
Curves	Suitable for mounting on slightly curved surfaces
Blackout	Yes
Flyscreen	No
Fitting options	Face fix
Hold down options	Minigrip ²
Angle suitability	Any
Max X/Y sizes	1000mm (39 3/8") / 900mm (35 3/8")

²Custom order - Additional hold down fittings available

CABINSHADE is a blackout cassette roller blind housed in a simple, functional extrusion for hatches or windows. It can be used for vertical or horizontal surfaces, with the added benefit of also being well suited for slightly curved headlinings. CABINSHADE is easy to fit and comes in a range of standard sizes.

- Blackout blind for hatches and windows
- 100% marinised for the harshest environments
- Ideally suited for curved surfaces
- Simple installation, all mounting hardware included
- Custom sizes available by special order

Measuring guide



STANDARD SIZES

Part No.	Fabric dimensions	
	X	Y
CSH-1	360mm (14 1/8")	400mm (15 3/4")
CSH-2	470mm (18 1/2")	510mm (20 1/8")
CSH-3	550mm (21 5/8")	600mm (23 5/8")
CSH-4	680mm (26 3/4")	700mm (27 1/2")

For step by step measuring and installation guides visit www.oceanair.co.uk/cabinshade

PORTSHADE



TECHNICAL FEATURES

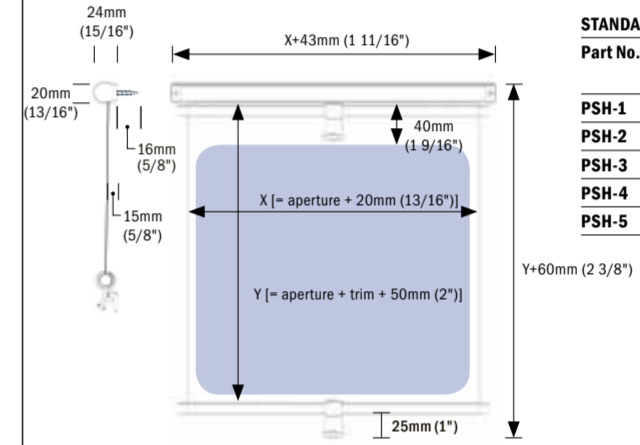
Housing colours	Anodised Silver, beige, white
Fabric	Solar (white)
Curves	Suitable for mounting on slightly curved surfaces
Blackout	Yes
Flyscreen	No
Fitting options	Face fix or top fix
Hold down options	Minigrip ²
Angle suitability	Any
Max X/Y sizes	1000mm (39 3/8") / 320mm (12 5/8")

²Custom order - Additional hold down fittings available

PORTSHADE is an ultra-slim blackout cassette roller blind, suitable for even the smallest portlights. It can be used for vertical or horizontal surfaces, with the added benefit of also being well suited for curved surfaces. PORTSHADE is easy to fit and comes in a range of standard sizes.

- Blackout blind for portlights and small windows
- 100% marinised for the harshest environments
- Ideally suited for curved surfaces
- Simple installation, all mounting hardware included
- Custom sizes available by special order

Measuring guide



STANDARD SIZES

Part No.	Fabric dimensions	
	X	Y
PSH-1	340mm (13 3/8")	280mm (11")
PSH-2	380mm (15")	280mm (11")
PSH-3	460mm (18 1/8")	320mm (12 5/8")
PSH-4	660mm (26")	320mm (12 5/8")
PSH-5	720mm (28 3/8")	320mm (12 5/8")

For step by step measuring and installation guides visit www.oceanair.co.uk/portshade

SKYSOL PLEATEDSHADE



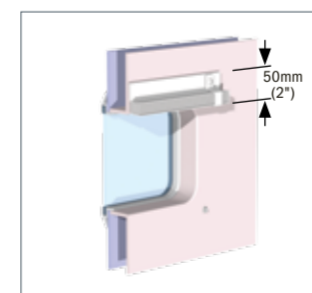
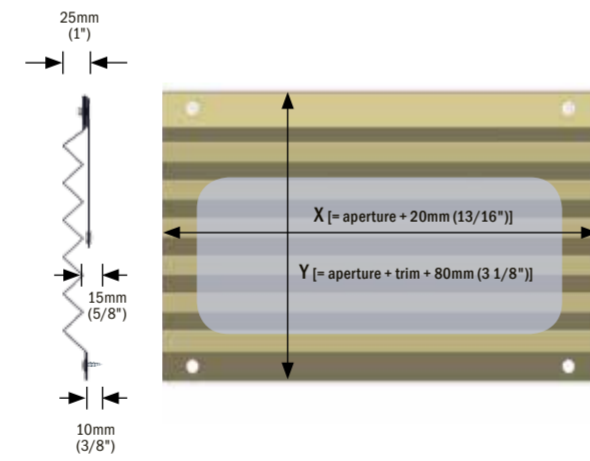
SKYSOL Pleatedshade is a stylish and cost effective pleated fabric blind for portlights and other small windows. Quick and simple to install, SKYSOL Pleatedshade utilises a simple snap system to secure the shade in the stowed and deployed position and is available in a range of standard sizes.

- Elegant pleated blind for portlights and small windows
- 100% marinised for the harshest environments
- Simple installation, all mounting hardware included
- Hardwearing polyester fabric
- Custom sizes available by special order

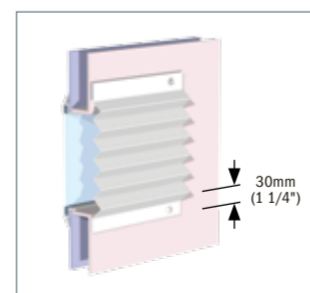
TECHNICAL FEATURES

Pleat size	Single 25mm (1")
Fabric options	Crème, navy, white, bone
Curves	No
Blackout	Yes
Fitting options	Face fix
Hold down	Stainless steel poppers/studs
Angle suitability	Up to 20° from vertical
Max X/Y sizes	1200mm (47 1/2") / 700mm (27 1/2")

Measuring guide



Pleatedshade stowed



Pleatedshade deployed

STANDARD SIZES

PART No	FABRIC DIMENSIONS	
	X	Y
PLS-1	381mm (15")	305mm (12")
PLS-2	508mm (20")	305mm (12")
PLS-3	635mm (25")	305mm (12")
PLS-4	762mm (30")	305mm (12")
PLS-5	1016mm (40")	305mm (12")

For step by step measuring and installation guides visit www.oceanair.co.uk/pleatedshade

DRYROLL



DRYROLL is an innovative waterproof toilet tissue dispenser ideal for combination shower/heads. Simple and inexpensive DRYROLL is a solution that will eliminate wet toilet paper completely.

- Waterproof toilet paper dispenser with automatic delivery system
- Can be recessed or surface mounted. All mounting hardware included
- Easy to install, operate and clean
- Hard wearing moulded ABS plastic

TECHNICAL FEATURES

Colour options	White or beige
Fitting options	Surface or recessed

Waterproof when closed



Automatic paper delivery

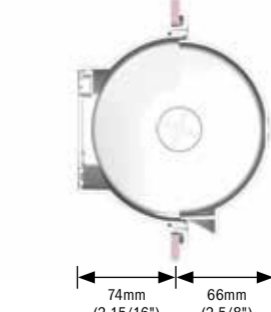
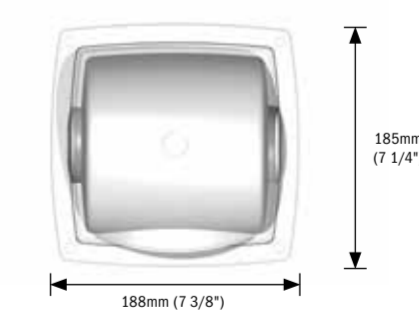


Automatic paper rewind

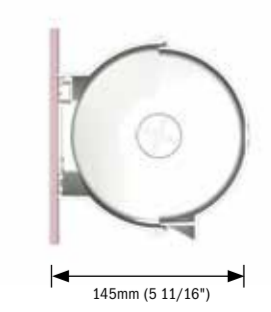
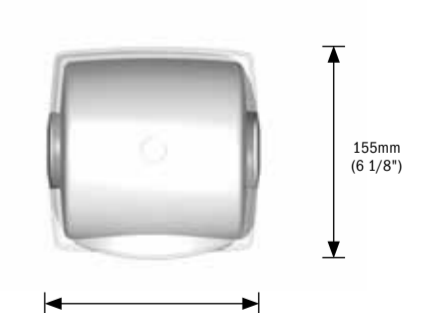


Measuring guide

Recessed mounted



Surface mounted



For step by step measuring and installation guides visit www.oceanair.co.uk/dryroll